

Model: CAM121

1.4 Megapixel Vandal proof Mini Dome Network Camera

Features

- 1/3" 1.4 Megapixel Progressive Scan Sony CMOS
- H.264 & MJPEG dual-stream encoding
- Max 30fps@1.4 Megapixel (1280x1024, 1280x720)
- WDR, Day/Night, AWB, AGC, BLC
- Multiple network monitoring: Web viewer, CMS, Smart phone
- Fixed lens 2.8mm
- Support defogging
- Support image rotation 90° or 270°
- POE
- Micro SD Card Slot



Model: CAM121



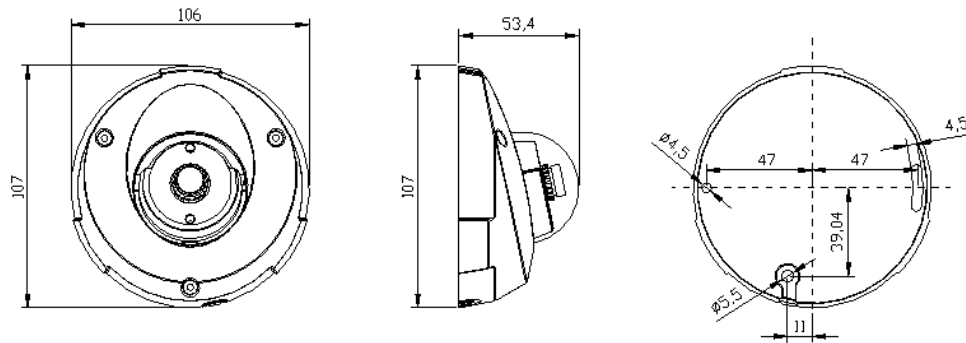
Specification

Model	IP66	POE	LENS
CAM121	Yes	Yes	2.6mm Fixed Lens
Camera			
Image Sensor	1/3" 1.4 Megapixel Progressive Scan Sony CMOS		
Effective Pixels	1280x1024		
Scanning System	Progressive		
Electronics Shutter Speed	Auto (1/25,1/30 ~ 1/10000s)		
Min. Illumination	0.01Lux/F1.2 (Color), 0.001Lux/F1.2(B/W);		
S/N Ratio	>50dB		
Camera Features			
Day/Night	Color / B/W		
Backlight Compensation	BLC / HLC / WDR (digital)		
White Balance	Auto		
Gain Control	Auto		
Noise Reduction	2D, 3D		
Privacy Masking	Up to 4 Areas		
Lens			
Focal Length	2.8mm		
Max Aperture	F1.4		
Focus Control	Manual		
Angle of View	97°~ 67°		
Lens Type	Fixed Iris		
Mount Type	Board-in Type		
Video			
Compression	H.264 Main Profile, Baseline / MJPEG		
Resolution	1280x1024, 1280x720 ; 640x320, 320x160, 160x112		
Frame Rate	Preferred Stream	1280x1024 (1~25/30fps), 1280x720 (1~25/30fps)	
	Alternate Stream	640x320, 320x160, 160x112 (1~25/30fps)	
Bit Rate	32KB ~16Mbps, support VBR, CBR		
Network			
Ethernet	RJ-45 (10/100Base-T)		
Protocol	IPv4/IPv6, HTTP, TCP/IP, UDP, RTP, RTCP, UPNP, RTSP, SMTP, NTP, DHCP, DNS, PPPOE, DDNS, FTP,		
ONVIF	ONVIF Ver. 2.0		
Max. User Access	10 users		
Smart Phone	iPhone, iPad, Android, Symbian		
Auxiliary Interface			
Memory Slot	Micro SD, Max 32GB		
General			
Power Supply	DC12V, POE (802.3af)		
Power Consumption	≤2W		

Model: CAM121

Working Environment	-20 °C ~ 60°C
Dimensions	Φ107mm × 53.4mm
Weight	0.5KG
Warranty	1 Year Advanced Replacement

Dimensions (mm)



Interfaces:

