

## Model: CAM322/CAM322Z

---

1080P Full HD Indoor Fixed Dome Network Camera

### Features

- 1/2.8" 2.1 Megapixel Progressive Scan Sony CMOS
- H.264 & MJPEG dual-stream encoding
- Max 25/30fps@1080P (1920x1080)
- WDR, Day/Night (ICR), AWB, AGC, BLC
- Multiple network monitoring: Web viewer, CMS, Smart phone
- Vari-focal Lens 2.8-12mm (Manual or Motorized)
- 3-Axis Rotation
- Support defogging,
- Support image rotation 90° or 270°
- Max. IR LEDs Length 10m
- POE
- Micro SD Slot
- BNC Video Output



# Model: CAM322/CAM322Z

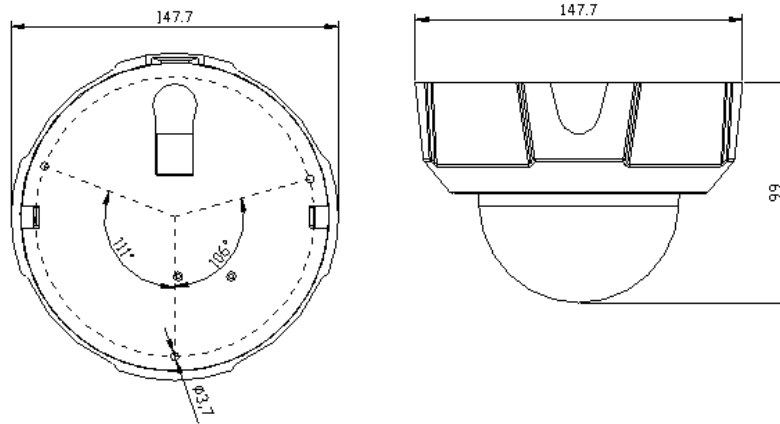
## Specification

Model	IR	POE	LENS
<b>CAM322</b>	Yes	Yes	Manual 2.8-12mm Vari-focal
<b>CAM322Z</b>	Yes	Yes	Motorized 2.8-12mm Vari-focal
<b>Camera</b>			
Image Sensor	1/2.8" 2.1 Megapixel Progressive Scan Sony CMOS		
CPU	HI3516C with 900MHZ		
Effective Pixels	1920x1080		
Scanning System	Progressive		
Electronics Shutter Speed	Auto (1/25,1/30 ~ 1/10000s)		
Min. Illumination	0.05Lux/F1.2 (Color), 0.005Lux/F1.2(B/W); 0Lux/F1.2 (IR on)		
S/N Ratio	>50dB		
<b>Camera Features</b>			
Max. IR LEDs Length	10m		
Day/Night	Auto (ICR) / Color / B/W		
Backlight Compensation	BLC / HLC / WDR (digital)		
White Balance	Auto		
Gain Control	Auto		
Noise Reduction	3D		
Privacy Masking	Up to 4 Areas		
<b>Lens</b>			
Focal Length	2.8-12mm		
Max Aperture	F1.4		
Focus Control	Manual / Motorized		
Angle of View	92°~ 27°		
Lens Type	Fixed		
Mount Type	Board-in Type		
<b>Video</b>			
Compression	H.264 High Profile, Main Profile, Baseline / MJPEG		
Resolution	1920x1080, 1280x720 ; 640x320, 320x160, 160x112		
Frame Rate	Preferred Stream	1920x1080(1~25/30fps), 1280x720 (1~25/30fps)	
	Alternate Stream	640x320, 320x160, 160x112 (1~25/30fps)	
Bit Rate	32KB ~16Mbps, support VBR, CBR		
<b>Audio</b>			
Compression	G.711a / G.711U, G.726		
Interface	1 channel Input, 1 channel Output		
<b>Network</b>			
Ethernet	RJ-45 (10/100Base-T)		
Protocol	IPv4/IPv6, HTTP, TCP/IP, UDP, RTP, RTCP, UPNP, RTSP, SMTP, NTP, DHCP, DNS, PPPOE, DDNS, FTP,		
ONVIF	ONVIF Ver. 2.0		
Max. User Access	10 users		
Smart Phone	iPhone, iPad, Android, Symbian		
<b>Auxiliary Interface</b>			
Memory Slot	Micro SD, Max 32GB		
Alarm	1channel Input, 1 channel Output		
<b>General</b>			

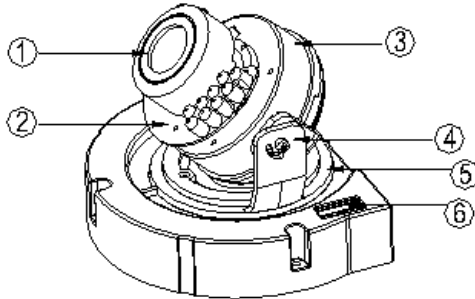
# Model: CAM322/CAM322Z

Power Supply	DC12V, POE (802.3af)
Power Consumption	≤5W
Working Environment	-20 °C ~ 60°C
Dimensions	Φ147.7mm ×99mm
Weight	0.5KG
Warranty	1 Year Advanced Replacement

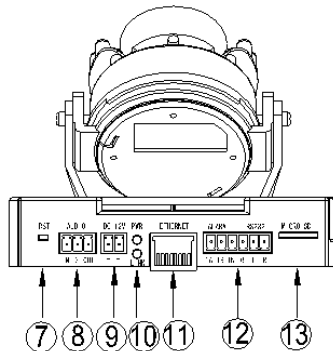
## Dimensions (mm)



## Interfaces:



- ① LENS
- ② IR BOARD
- ③ Three axis adjustable
- ④ Tilt adjustable
- ⑤ Pan adjustable
- ⑥ VIDEO OUT



- ⑦ RESET
- ⑧ AUDIO IN /OUT
- ⑨ DC 12V IN
- ⑩ POWER/LINK LED
- ⑪ RJ45
- ⑫ I/O INTERFACE
- ⑬ MICRO SD

## I/O interface definition:

1	1A: ALARM Output	4	G: ALARM Input GND
2	1B: ALARM Output	5	T-: RS485 control output +
3	IN: ALARM Input	6	T+: RS485 control output -