

Model: CAM421/CAM421Z

1.4 Megapixel Vandal proof Fixed Dome Network Camera

Features

- 1/3" 1.4 Megapixel Progressive Scan Sony CMOS
- H.264 & MJPEG dual-stream encoding
- Max 25/30fps@1.4 Megapixel (1280x1024, 1280x720)
- WDR, Day/Night (ICR), AWB, AGC, BLC
- Multiple network monitoring: Web viewer, CMS, Smart phone.
- Vari-focal Lens 2.8-12mm (Manual or Motorized)
- 3-Axis Rotation
- Support defogging
- Support image rotation 90° or 270°
- Max. IR LEDs Length 10m
- POE
- Micro SD Slot
- BNC Video Output



****Shown with wall mount (WMT-4)***

Model: CAM421/CAM421Z

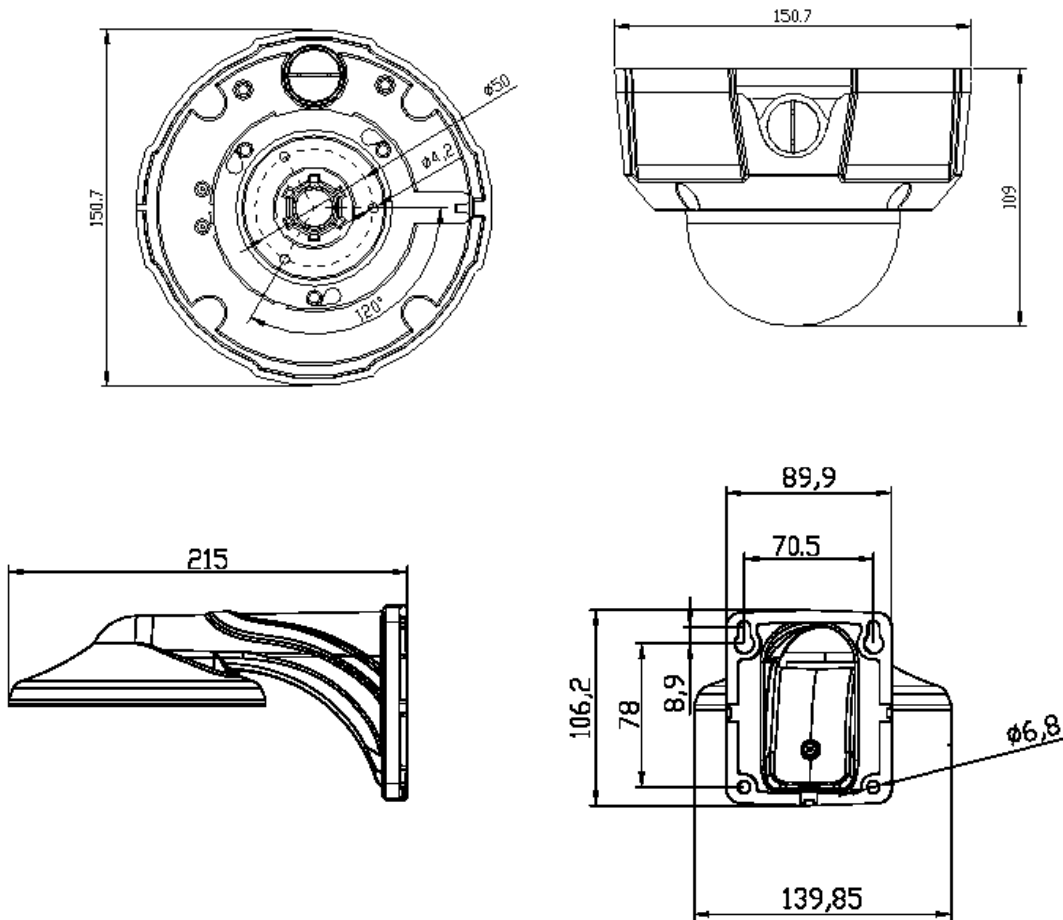
Specification

Model	IP66	IR	POE	LENS
CAM421(W)(C)	Yes	Yes	Yes	Manual 2.8-12mm VF
CAM421Z(W)(C)	Yes	Yes	Yes	Motorized 2.8-12mm VF
Camera				
Image Sensor	1/3" 1.4 Megapixel Progressive Scan Sony CMOS			
Effective Pixels	1280x1024			
Scanning System	Progressive			
Electronics Shutter Speed	Auto (1/25,1/30 ~ 1/10000s)			
Min. Illumination	0.01Lux/F1.2 (Color), 0.001Lux/F1.2(B/W); 0Lux/F1.2 (IR on)			
S/N Ratio	>50dB			
Camera Features				
Max. IR LEDs Length	5-10m			
Day/Night	Auto (ICR) / Color / B/W			
Backlight Compensation	BLC / HLC / WDR (digital)			
White Balance	Auto			
Gain Control	Auto			
Noise Reduction	2D, 3D			
Privacy Masking	Up to 4 Areas			
Lens				
Focal Length	2.8-12mm			
Max Aperture	F1.4			
Focus Control	Manual / Motorized			
Angle of View	92°~ 27°			
Lens Type	Fixed			
Mount Type	Board-in Type			
Video				
Compression	H.264 Main Profile, Baseline / MJPEG			
Resolution	1280x1024, 1280x720 ; 640x320, 320x160, 160x112			
Frame Rate	Preferred Stream	1280x1024 (1~25/30fps), 1280x720 (1~25/30fps)		
	Alternate Stream	640x320, 320x160, 160x112 (1~25/30fps)		
Bit Rate	32KB ~16Mbps, support VBR, CBR			
Audio				
Compression	G.711a / G.711U, G.726			
Interface	1 channel Input, 1 channel Output			
Network				
Ethernet	RJ-45 (10/100Base-T)			
Protocol	IPv4/IPv6, HTTP, TCP/IP, UDP, RTP, RTCP, UPNP, RTSP, SMTP, NTP, DHCP, DNS, PPPOE, DDNS, FTP,			
ONVIF	ONVIF Ver. 2.0			
Max. User Access	10 users			
Smart Phone	iPhone, iPad, Android, Symbian			

Model: CAM421/CAM421Z

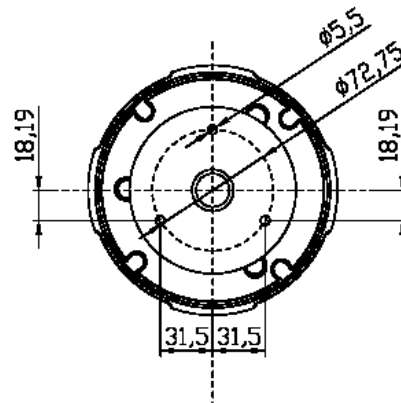
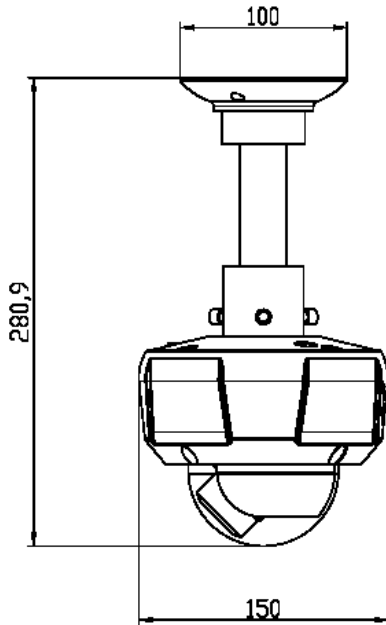
Auxiliary Interface	
Memory Slot	Micro SD, Max 32GB
Alarm	1channel Input, 1 channel Output
General	
Power Supply	DC12V, POE (802.3af)
Power Consumption	≤5W
Working Environment	-20 °C ~ 60°C
Dimensions	Φ150.7mm ×109mm
Weight	1.2KG
Warranty	1 Year Advanced Replacement

Dimensions (mm)



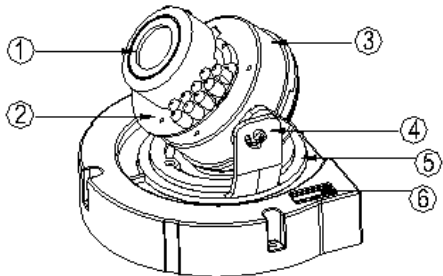
Wall Mount (WMT-4)

Model: CAM421/CAM421Z

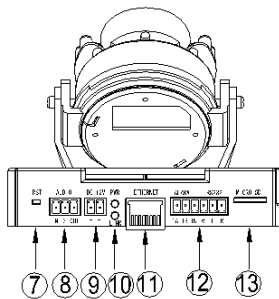


Ceiling Mount (CMT-4)

Interfaces:



- ① LENS
- ② IR BOARD
- ③ Three axis adjustable
- ④ Tilt adjustable
- ⑤ Pan adjustable
- ⑥ VIDEO OUT



- ⑦ RESET
- ⑧ AUDIO IN /OUT
- ⑨ DC 12V IN
- ⑩ POWER/LINK LED
- ⑪ RJ45
- ⑫ I/O INTERFACE
- ⑬ MICRO SD

I/O interface definition:

1	1A: ALARM Output	4	G: ALARM Input GND
2	1B: ALARM Output	5	T-: RS485 control output +
3	IN: ALARM Input	6	T+: RS485 control output -