

Model: CAM435

5.0 Megapixels IP66 Fixed Dome Network Camera

Features:

- 1/2.5" 5.0 Megapixels Progressive Scan Aptina CMOS
- H.264 High Profile & MJPEG dual-stream encoding
- Max 12fps@2592x1944, and 20fps@2048x1536, 25/30fps@1080P (1920x1080)
- Digital WDR (>100db), 2D, 3D noise reduction, AWB, AGC, BLC
- Multiple network monitoring: Web viewer, CMS, Smart phone
- To switch Day/Night by video detection, IR detection and time
- IP66
- Max. IR LEDs Length 10m
- POE
- Micro SD Card Slot (max 64GB)
- Fixed lens 3.6mm
- Support ONVIF2.3 above



Model: CAM435

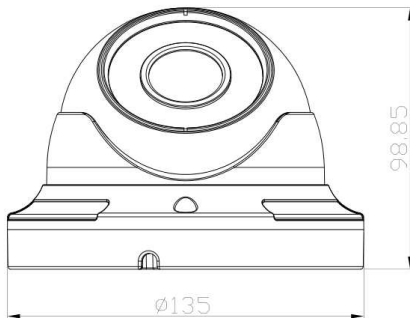
Specification

Ordering Model:		IR	POE	IP66	LENS
CAM435		Yes	Yes	Yes	3.6mm Fixed Lens included
Camera					
Image Sensor		1/2.5" 5.0 megapixels Progressive Scan Sony CMOS			
CPU		Hi3516			
Effective Pixels		2592x1944			
Scanning System		Progressive			
Electronics Shutter Speed		Auto (1/25,1/30 ~ 1/10000s)			
Min. Illumination		1Lux/F1.2 (Color), 0.1Lux/F1.2(B/W); 0Lux/F1.2 (IR on)			
S/N Ratio		>50dB			
Camera Features					
Max. IR LEDs Length		10m			
Day/Night Switch		Auto Color to B/W			
Backlight Compensation		BLC / HLC / WDR (digital)			
White Balance		Auto			
Gain Control		Auto			
Noise Reduction		2D, 3D			
Privacy Masking		Up to 4 Areas			
Lens					
Focal Length		3.6mm			
Max Aperture		F1.4			
Focus Control		Manual			
Angle of View		97°~ 36°			
Lens Type		Fixed Iris (fixed lens)			
Mount Type		Board-in Type			
Video					
Compression		H.264 High Profile, Main Profile, Baseline / MJPEG			
Resolution		2592x1944, 2048x1536 ; 1920x1080; 640x352, 320x240			
Frame Rate	Preferred Stream	2592x1944 (1~12fps), 2048x1536 (1~20fps), 1920x1080(1~25/30fps),			
	Alternate Stream	640x352, 320x240 (1~25/30fps)			
Bit Rate		32KB ~16Mbps, support VBR, CBR			
Network					
Ethernet		RJ-45 (10/100Base-T)			
Protocol		IPv4/IPv6, HTTP, TCP/IP, UDP, RTP, RTCP, UPNP, RTSP, SMTP, NTP, DHCP, DNS, PPPOE, DDNS, FTP,			
ONVIF		ONVIF Ver. 2.3			
Max. User Access		10 users			
Smart Phone		iPhone, iPad, Android, Symbian			
Auxiliary Interface					
Memory Slot		Micro SD, Max 64GB			
General					

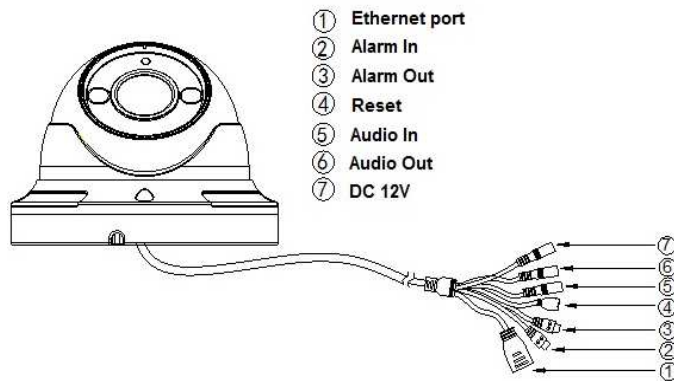
Model: CAM435

Power Supply	DC12V, POE (802.3af)
Power Consumption	≤5W
Working Environment	-20 °C ~ 60°C
Dimensions	Φ147.7mm ×99mm
Weight	0.5KG
Warranty	1 Year Advanced Replacement

Dimensions (mm)



Interfaces:



Installation:

